

**FLOOR EQUIPMENT PARTS.COM**



# 1000

## Compact Carpet and Upholstery Extractor Extractor Compacto Para Alfombras y Tapicería

**Model No.:**

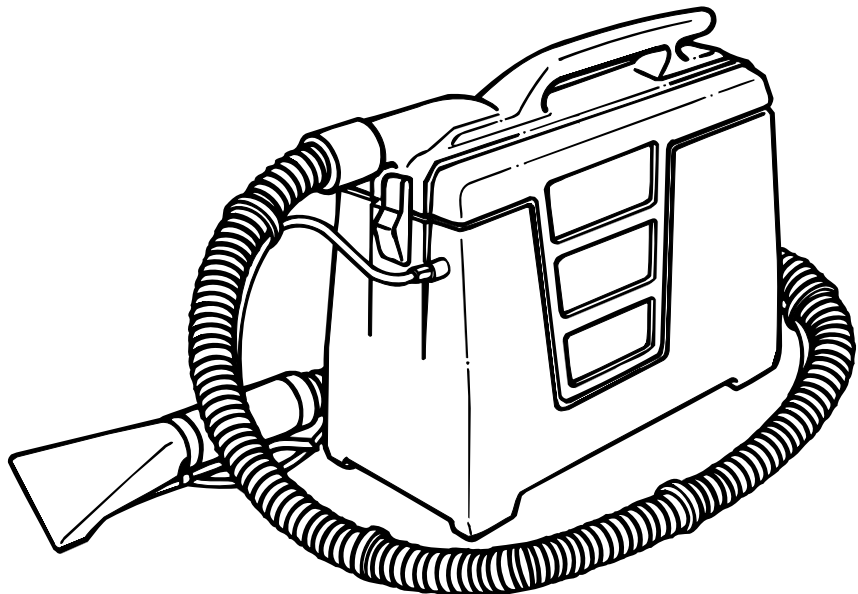
607713 – 120V

607714 – 120V (includes cart)

607715 – 120V (includes cart/chemicals)

609385 – 230V

## Operator and Parts Manual Manual de Operación y de Piezas

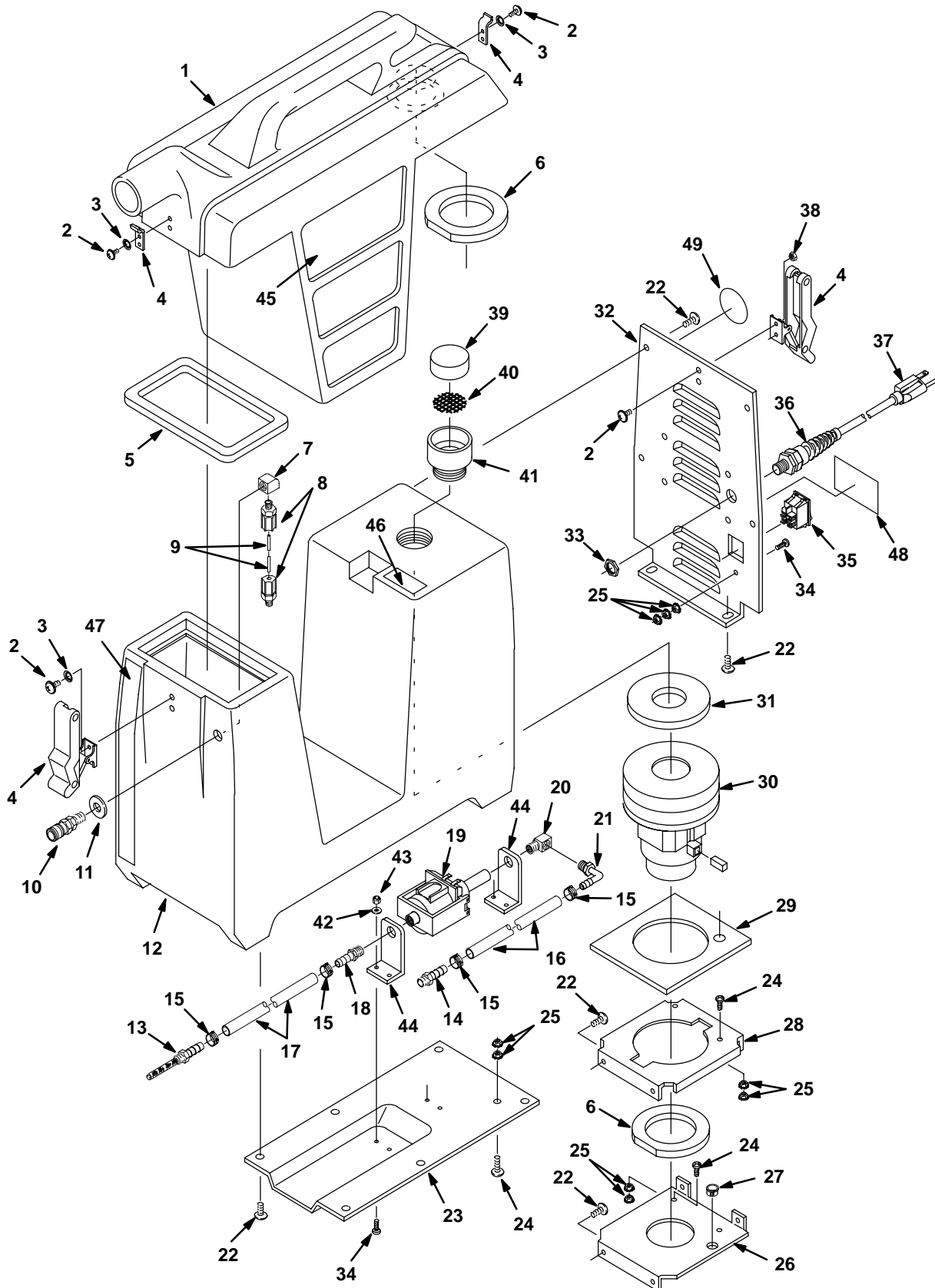


**TENNANT COMPANY**  
Commercial Products  
12875 RANSOM STREET  
HOLLAND MI 49424 U.S.A.

FAX: 1-800-678-4240  
CUSTOMER SERVICE: 1-800-982-7658

607716  
Rev. 01 (01-00)

MACHINE PARTS  
PIEZAS DE LA MÁQUINA

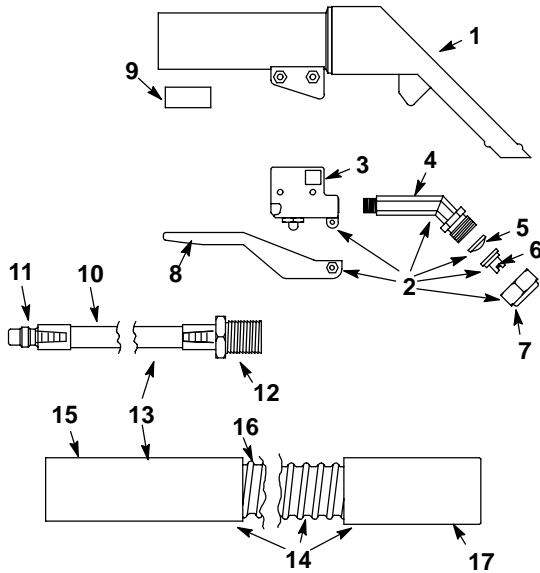


**MACHINE PARTS  
LISTA DE PIEZAS DE LA MÁQUINA**

REF	PART #	DESCRIPTION	QTY.
1.	100360	TANK , RECOVERY, WHITE	1
2.	140801	SCREW, MCH 8-32X3/8	8
3.	140023	WASHER, INT LCK TOOTH #8	6
4.	140932	LATCH, HOOD RUBBER	2
5.	102553	GASKET, SOLUTION TANK SEAL	1
6.	102556	GASKET, RECOVERY TANK SEAL	2
7.	150402	ELBOW, 90° 1/8F X 1/8F	1
8.	150309	CONNECTOR MALE 1/8NPT W/NUT	2
9.	560495	TUBING, NYLON .17ID X 12"	1
10.	150915	COUPLER, QCK 1/8 BRASS-SER 5	1
11.	140036	WASHER, FLAT 3/8	1
12.	604331	TANK, SOLUTION, WHITE	1
13.	603650	FILTER, SOLUTION TANK	1
14.	603649	ADAPTER FITTING 1/4HBX1/4H	1
15.	603654	CLAMP, HOSE CTB	4
16.	603651	HOSE, 1/4"ID X 5-1/4"	1
17.	603652	HOSE, 1/4"ID X 10-1/2"	1
18.	150525	FITTING, 1/8M X 1/4H	1
19.	603653	PUMP, SOLUTION 120V 60HZ	1
	604238	PUMP, FLOJET 230V 50HZ	1
20.	150407	ELBOW, 1/8M X 1/8F	1
21.	578214000	ELBOW, 1/8M X 1/4 H 90° NYLON	1
22.	140197	SCREW, 10-24X3/8	18
23.	608513	PANEL, BOTTOM, BLACK	1
24.	140892	SCREW, MCH 10-24X1/2	3
25.	140519	NUT, KEP 10-24 - S/S BULK	9
26.	230776	PLATE, BAFFLE	1
27.	130698	BUSHING, SNAP	1
28.	230777	PLATE VAC MOTOR MOUNT	1

REF	PART #	DESCRIPTION	QTY.
29.	102552	GASKET, VAC MOTOR PLATE	1
30.	130457	MOTOR, VAC 4.8-2 STAGE - 120V	1
	190155	- CARBON BRUSH RPLMT (2/PK)	2
	130458	MOTOR, VAC 4.8-2 STAGE - 230V	1
	190158	- CARBON BRUSH RPLMT (2/PK)	2
31.	102557	GASKET, VAC MOTOR SEAL	1
32.	608514	PANEL REAR COVER, BLACK	1
33.	140549	NUT, LOCK 3/8 CONDUIT	1
34.	140895	SCREW, MCH 10-24X3/4	5
35.	602669	SWITCH, DPST SYMBOL 120V & 230V	1
36.	130190	CORD GRIP LIQ.TITE FLEX 3/8 NPT	1
37.	130277	CORD, 18/3 X 25' YLW - 120V	1
	600397	CORD, 18/3 X 7.6 M BLACK - 230V	1
38.	28990	NUT, LOCK 8-32 W/NYL INST	2
39.	102550	FILTER, VACUUM	1
40.	230794	SCREEN FILTER	1
41.	230836	ADAPTER, MALE 1-1/2X1-1/4 PVC	1
42.	140011	WASHER, #10 FLAT	4
43.	140552	NUT, NYLON 10-24	4
44.	603663	BRACKET, PUMP MOUNT (SET OF 2)	1
45.	608126	DECAL, TENNANT 1000	2
46.	120906	DECAL, "IMPORTANT DRAIN..."	1
47.	121006	DECAL, GALLON/LITER MARK	1
48.	120660	DECAL, WARNING EXTRACTOR	1
49.	N/A	DECAL, PREVENTATIVE (120V)	1

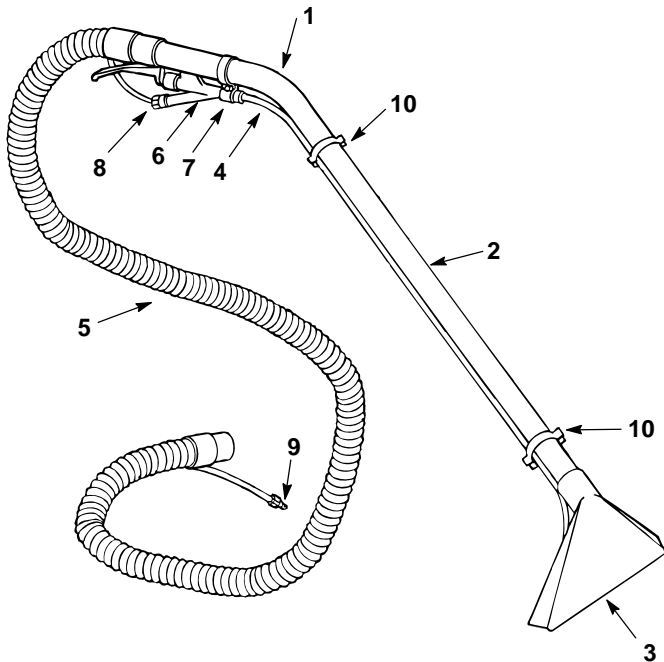
**STANDARD HAND TOOL**  
**ACCESORIO ESTÁNDAR DE MANO**



REF	PART #	DESCRIPTION	QTY.
	609349	TOOL, HAND WITH HOSE	1
1	608901	TOOL, HAND W/ TRIGGER ASM.	1
	608891	TOOL, HAND	1
∇2	608899	ASM., TRIGGER	1
▲3	608894	BODY, VALVE	1
▲4	608895	NOZZLE, SPRAY	1
▲5	608900	SCREEN	1
▲6	608896	TIP, SPRAY	1
▲7	608897	CAP	1
▲8	608898	TRIGGER	1
9	608892	SEAL, SOLUTION HOSE	1
10	560499	HOSE, SOLUTION	1
11	150921	PLUG, QCK. COUPLER – SER. 5	1
12	150111	ADAPTER, 1/8M X 1/4F – BRASS	1
13	–	ASM., HOSE VACUUM/SOLUTION	1
∇14	608905	ASM., VACUUM HOSE	1
▲15	609428	CUFF, HOSE 1.5 X 5.25	1
▲16	608903	HOSE, VACUUM 1.5	1
▲17	609440	CUFF, HOSE 1.5 X 3.5	1

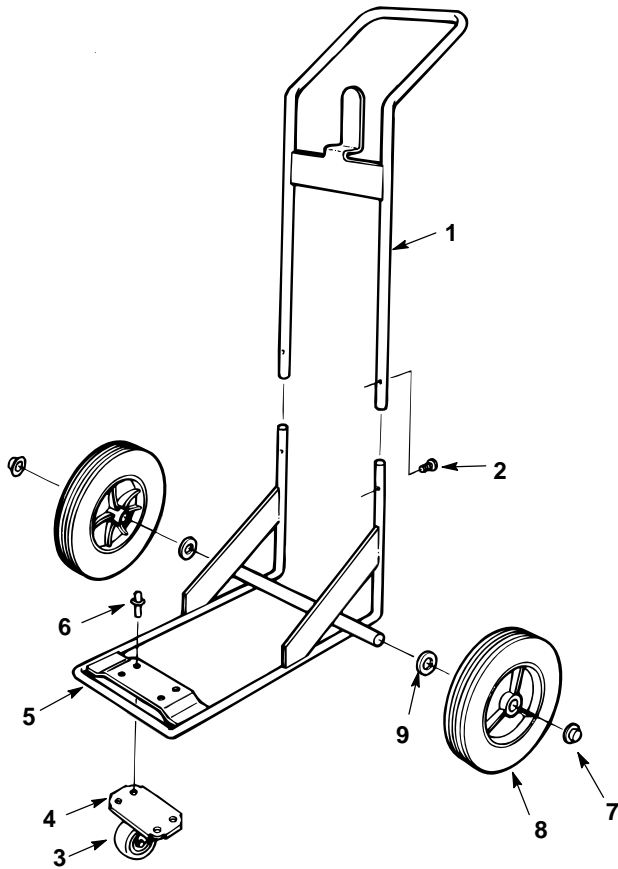
∇ Assembly ▲ Included in Assembly

**OPTIONAL FLOOR TOOL**  
**ACCESORIO OPCIONAL DE PISO**



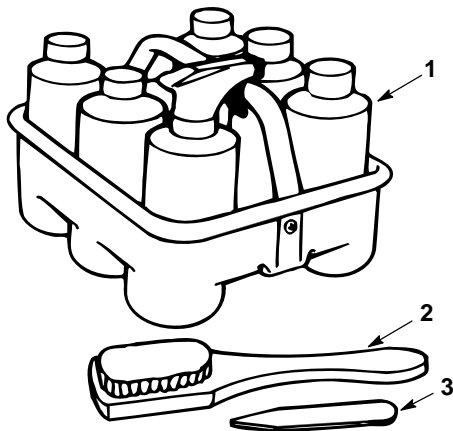
Ref.	Part No.	Description	Qty.
	200103	TOOL, FLOOR SPOTTER COMPLETE	1
1.	200467	WAND, UPPER SECTION ONLY	1
2.	200468	WAND, LOWER SECTION ONLY	1
3.	200466	TOOL, PLASTIC 8" HEAD ONLY	1
4.	160247	HOSE, 1/4"	3ft
5.	603546	HIDE A HOSE	10ft
6.	578064000	VALVE	1
7.	150516	FITTING, 1/4MX3/8H BARB BRS	1
8.	150403	FITTING, 1/4MX1/4F ELBOW STRT45	1
9.	150921	PLUG, QCK. COUPLER - SER. 5	1
10.	140325	CLAMP, EAR 1/2"	2

**OPTIONAL HANDCART  
CARRITO TRANSPORTADOR OPCIONAL**



Ref.	Part No.	Description	Qty.
	701015	CART, HAND COMPLETE	1
1.	230781.BK	HANDLE, WELDMENT CART	1
2.	140890	SCREW, MCH 10-24 X 1/2" TRSPHL - S/S	2
3.	140000	WASHER, FLAT 1/4" USS -ZINC	4
4.	103001	CASTER, SWIVEL - 3"	1
5.	230780.BK	FRAME, WELDMENT CART	1
6.	140701	RIVET, POP 1/4 X .126-.250 STEEL	4
7.	103019	CAP, HUB	2
8.	103014	WHEEL, 8" X 1.75 WHITE HUB	2
9.	140045	WASHER, FLAT .5/510 X 1.25 X .06 S/S	2

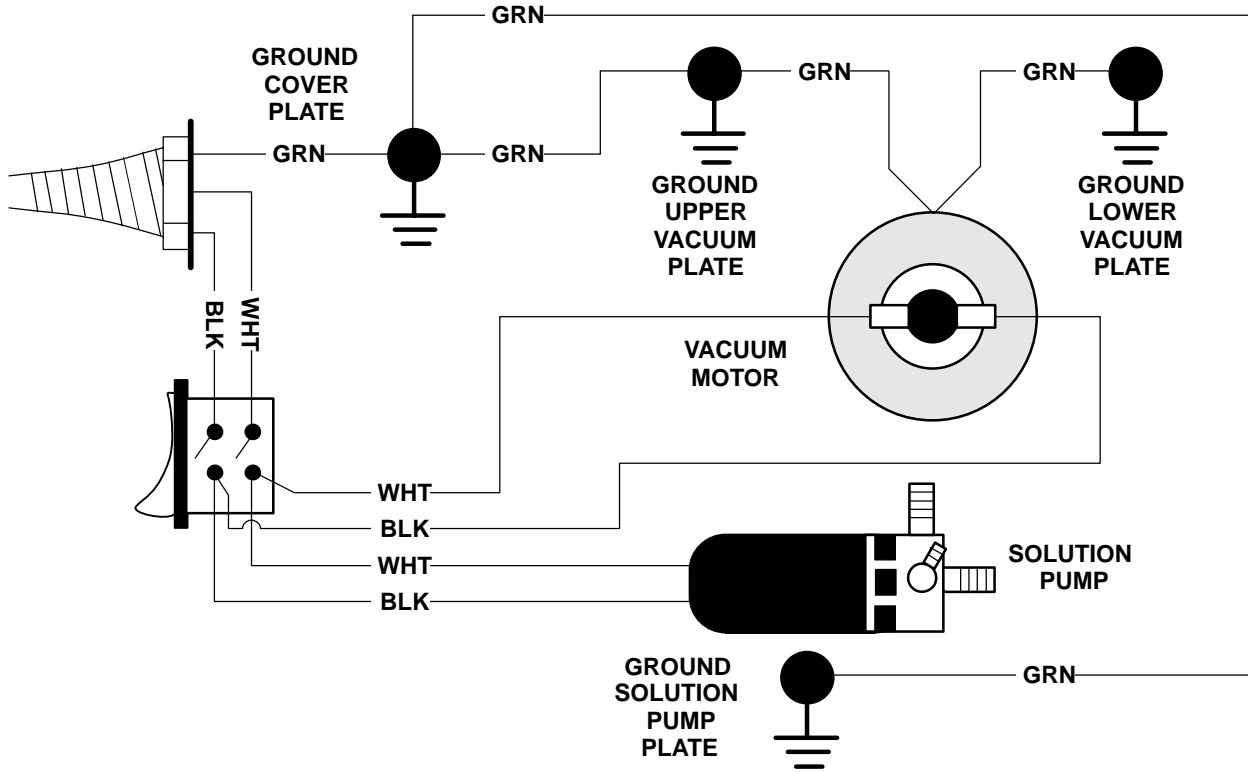
**OPTIONAL SPOTTING KIT  
JUEGO OPCIONAL QUITAMANCHAS**



Ref.	Part No.	Description	Qty.
1.	111002	KIT, SPOT REMOVER	1
	26900	KIT, SPOT REMOVER (CASE OF 6)	6
2.	240042	FURNITURE BRUSH	1
3.	240049	SCRAPER	1

**WIRING DIAGRAM  
DIAGRAMA DE CABLEADO**

**120V 50/60HZ**



**230V**

